

Operating Manual

FLAT LIFT®



YACHT

MOTORHOME

HOTEL



⇒	C.01	INTRODUCTION		
⇒	C.02	FEATURES		
⇒	C.03	PRODUCT DIMENSIONS		
⇒	C.04	INITIAL PRODUCT SET UP		
			Set up	P.06
			Images	P.07-08
⇒	C.05	PRODUCT CONTROL		
			IR remote control handling	P.09
⇒	C.06	PRODUCT INTEGRATION		
⇒	C.07	RECOMMENDED INSTALLION		
			Example of console intergation	P.12
⇒	C.08	TROUBLE SHOOTING		
⇒	C.09	LEGAL NOTICE		

Outperform. Outlast.™

Intended Use

The product serves the lifting and lowering of LCD and plasma TV equipment.

All company names and product names are trademarks of the corresponding owner. All rights reserved. The scope of supply can vary depending on the product and the range of fixtures and fittings. Please check that the product supplied is complete and inform us within seven days of delivery if the scope of supply is not complete.

Safety and Hazards Recommendations

Please read this chapter carefully and follow all of the instructions provided. In this way you are able to guarantee the reliable operation and a long lifespan for your lift system. Keep the operating manual in a safe place.

In the event of damage which is the result of non compliance with this operating manual, all claims pertaining to the guarantee are null and void. We generally accept no responsibility for secondary damage.

We accept no responsibility for damage to objects or persons which is caused by the inappropriate use of the product or through ignoring the safety instructions. In such cases, all claims pertaining to the guarantee are null and void.

- ⇒ For safety reasons, the unauthorized conversion and/or changing of the product is not permitted. Do not dismantle this product.
- ⇒ This product is not a toy and does not belong in the hands of children.
- ⇒ Do not allow the product to become damp or wet.
- ⇒ Do not leave the packaging material lying around as children may choke if they swallow it.
- ⇒ The product will be damaged if it is dropped, even from a low height.
- ⇒ Before using the product for the first time, please check that the free raising and lowering of the Flatlift including the mounted TV equipment is possible and ensure a collision-free run.

Quality

In the choice of our components, our primary focus was on ensuring a high level of functionality, straightforward use, safety and reliability.

We would like to thank you for the trust you have placed in our Flatlift brand products.

We can help you with your installation through providing individual customer care.



Outperform. Outlast.™

Features:

- ⇒ Installation dimensions
W=20.07 in D=6.69 in H=45.27 in
- ⇒ Lift 35.43 in
- ⇒ Lifting speed 1.37 in/sek
- ⇒ TV weight max. 121 lbs
- ⇒ TV size up to 46"-50" (inch)
(max. TV size possible in inches: W = * , H = max. 33.5 in, D = *)
- ⇒ Power-on time 10%/h
- ⇒ Low noise level
- ⇒ Environmental temperature from +5°C bis 40°C
- ⇒ Automatic TV switch off (optional)
- ⇒ 110V / 230V specification
- ⇒ Connectable to a multiroom

**Scope of supply:**

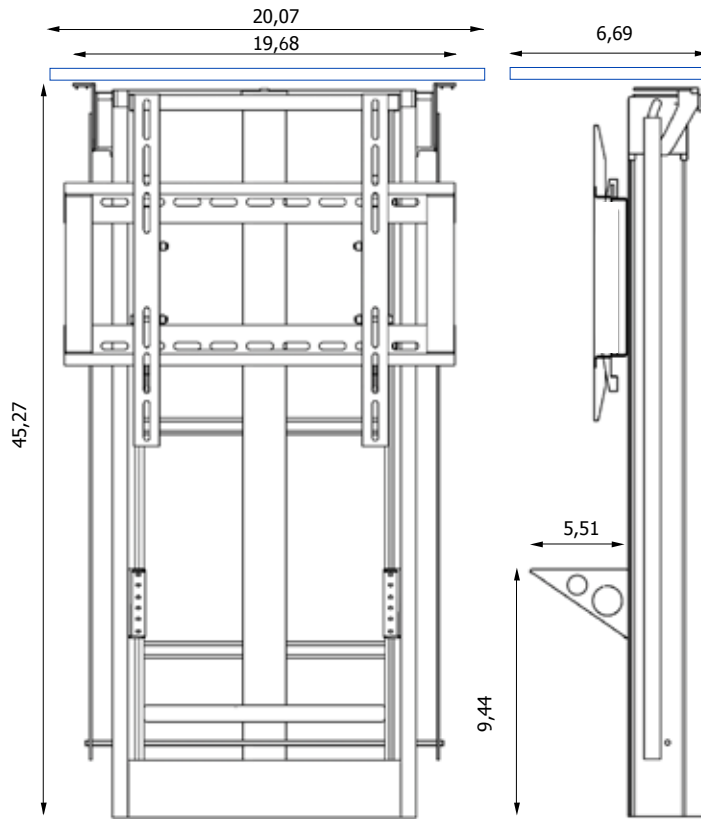
- ⇒ Flatlift Lid-O-Matic
- ⇒ Internal control box
- ⇒ 110V power cord
- ⇒ IR remote control
- ⇒ Touchpanel



* not relevant



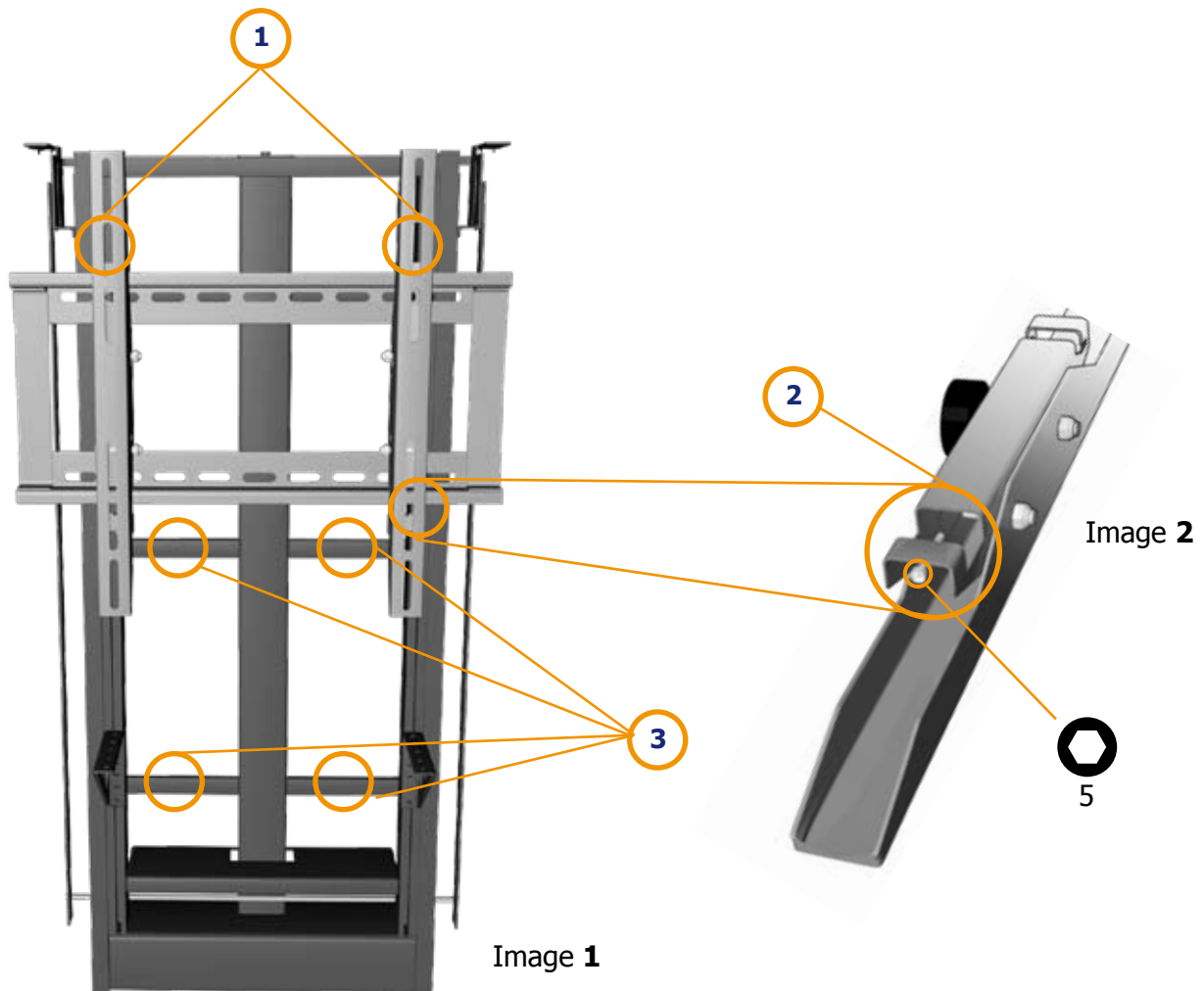
Outperform. Outlast.™



Outperform. Outlast.™

Initial set up:

1. In order to prevent the system from tipping over, fix your Lid-O-Matic with four screws (image 1, no. 3 and P.07, image 1b, no. 4) at the back of your furniture (image 1, no. 1).
2. Assemble the upper lid with the mountings (P.07, image 1c, no. 4). You have to drill in each case 2 holes into the mountings.
3. Assemble now the lower lid with the triangle bracket (P.07, image 1d).
4. You are now able to mount your TV set on the system. To do this, uncouple the two holders (image 1 no. 1). Attach these to your TV and then secure the holder subsequent to putting the TV set in place by screwing in the safety screw (image 2, no. 2).
5. Connect now the Lid-O-Matic (P.08, image 3) with the touchpanel (P.08, image 3, no. 5).
6. After this connect the power cord (P.08, image 5) to your Flatlift System and than to the mains supply.
7. Your Lid-O-Matic is now ready for using.
8. Caution! The Touchpanel is the IR receiver in the same time. Please take care, that your Touchpanel isn't hidden and right placed at your furniture so that the eye to eye connection from the transmitter to touchpanel.



Outperform. Outlast.™

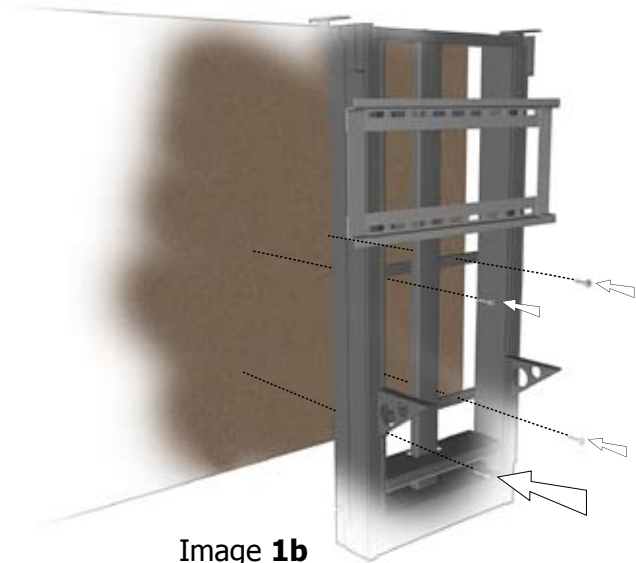


Image 1b

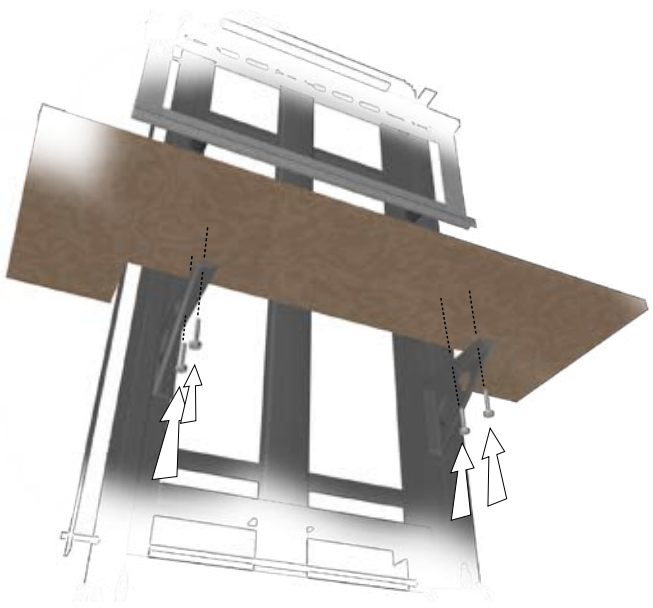


Image 1d

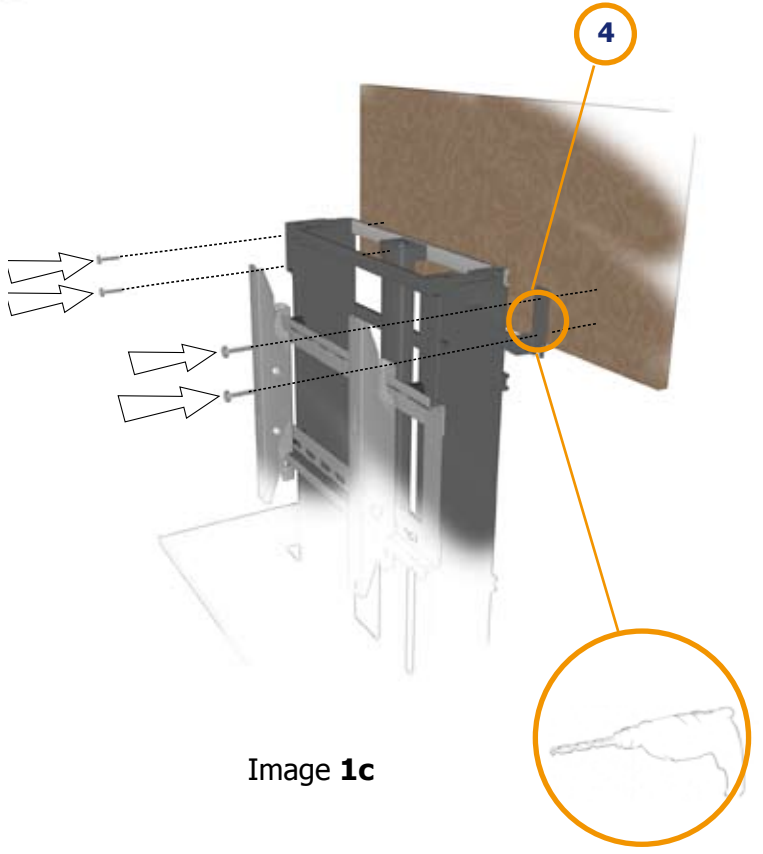


Image 1c



Outperform. Outlast.™



Image 3



Image 4

5

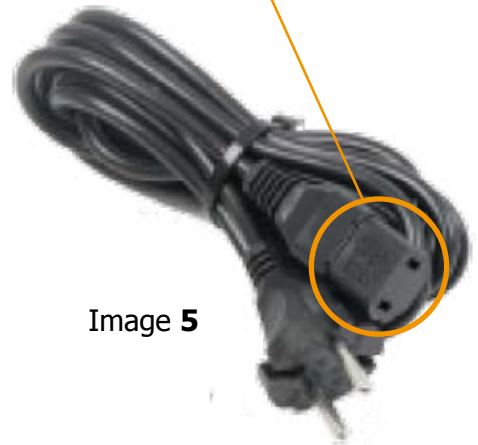


Image 5



IR remote control handling:

- 1) Push the ▲ button (Abb.1 Nr.1) to move up the Lid-O-Matic system.
- 2) Push the ▼ button (Abb.1 Nr.3) to move down the Lid-O-Matic system.
- 3) Push the the ● button(Abb.1 Nr.2) in the middle of your IR remote control to stop the move.

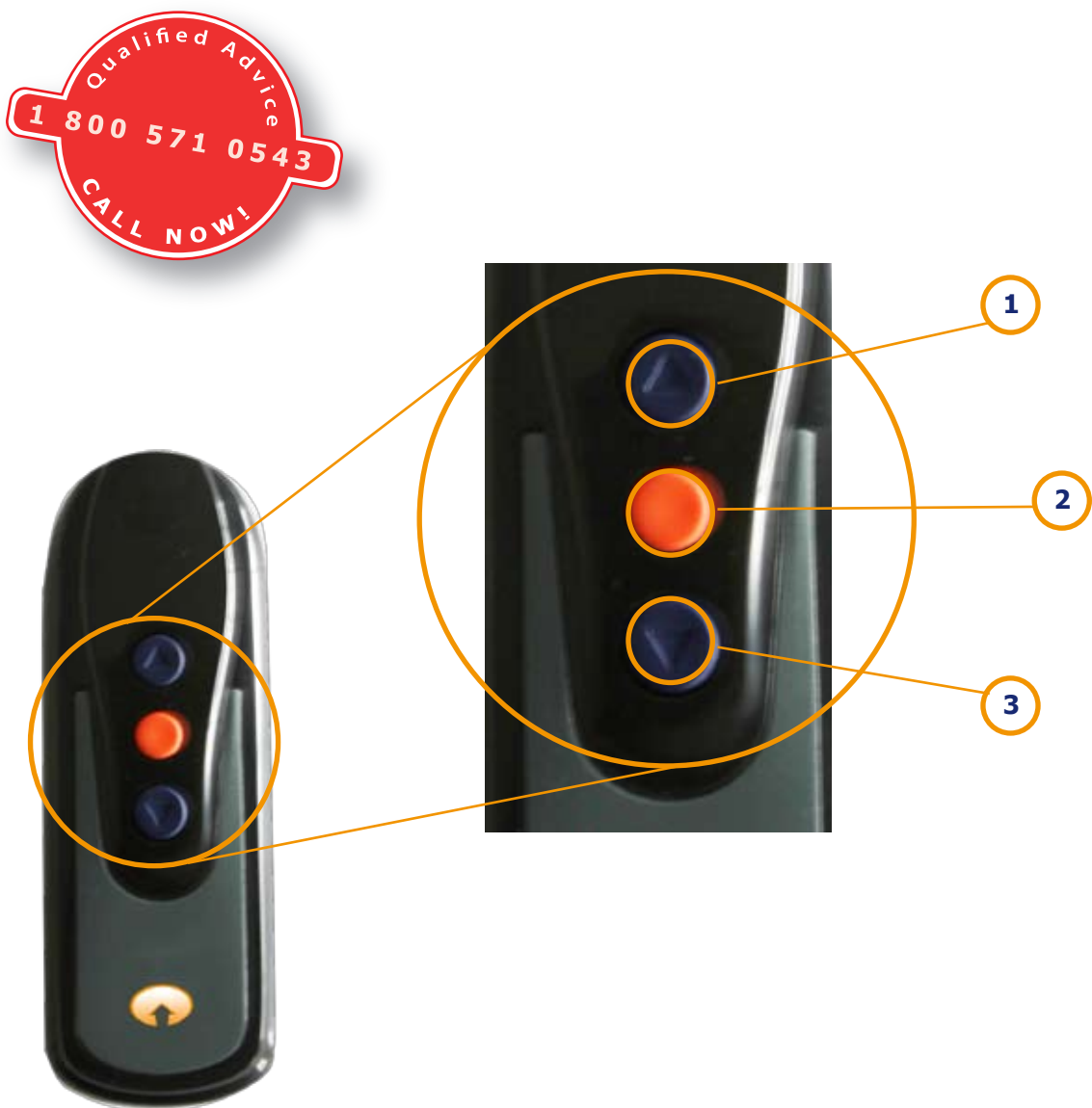
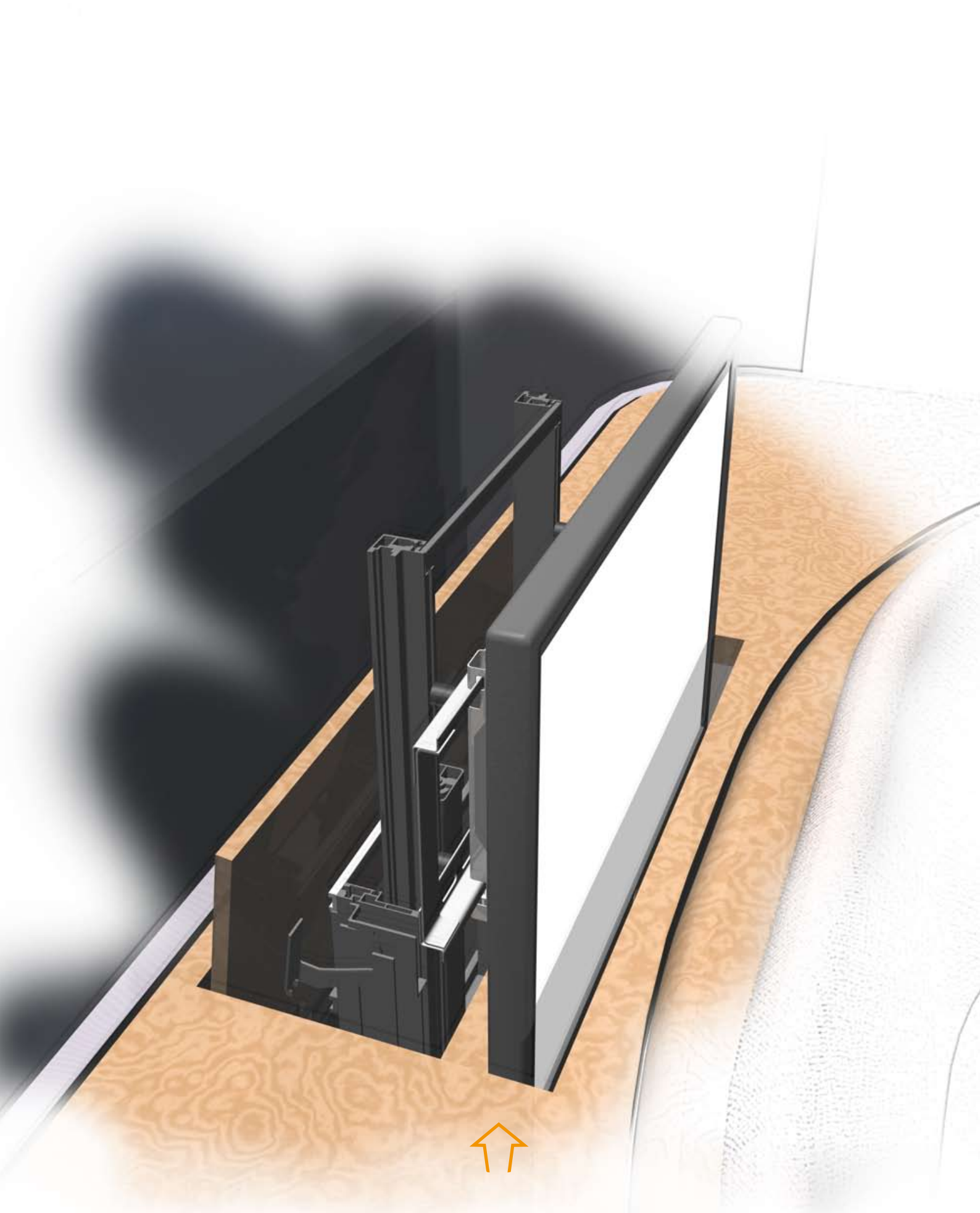


Image 1



Outperform. Outlast.™



Outperform. Outlast.™



Furniture integration:

Via the automatic lid opening the lid moves automatically 90° backwards without to collide with the upwards moving TV. This lid option make it possible to integrate the Lid-O-Matic into mobile projects e.g.: at a yacht or inside of a caravan.

The TV moves up elegant and the lid remains statically without to stir behind the TV. Furthermore it would-be that the Lid doesn't be bulk and hit to the shell plate or to the covering.

Also consider by this lid solution, that you need a measure of max. 1.96" between the cabinet back side and the lid (P.12, image 1).

Furthermore consider that the moving lid and the ending piece have a beveling of 45° (image 1).

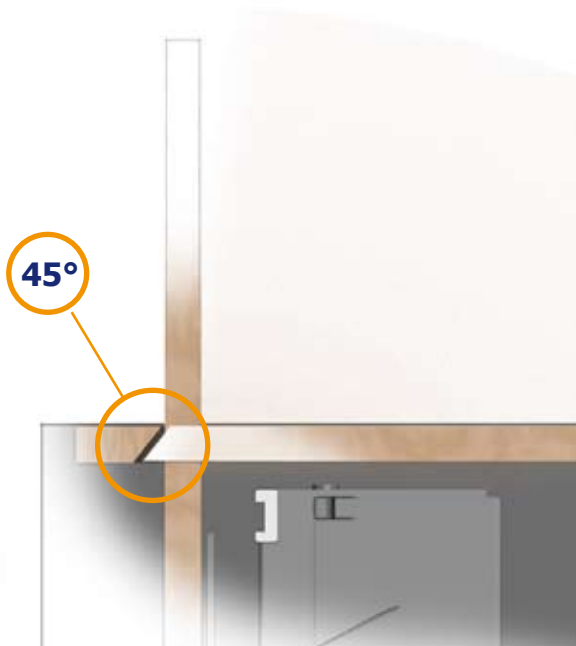
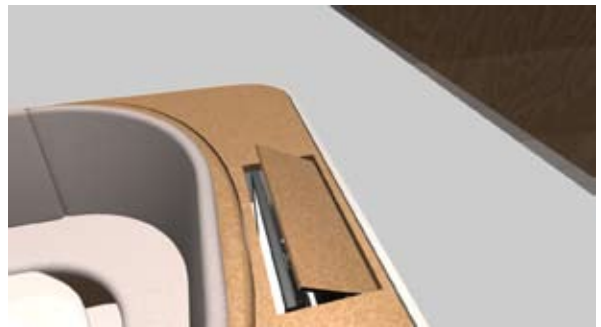
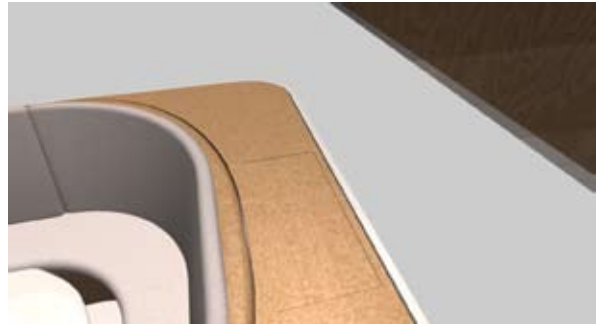


Image 1



Outperform. Outlast.™

Recommended installation for integration with furniture:

The Lid-O-Matic 36" has a lift height of 35.53 in. As different installation options are possible for the system, we will now explain how the system is to be best arranged with installation on a cabinet.

The following rule applies with cabinet and/or furniture installation:

There must be at least 0.39 in clearance underneath the TV which is attached to the Flatlift. This clearance is always required for the initialisation run. Clearance of at least 0.39 in must also be provided above the TV. When the Flatlift is fully extended, we also recommend a minimum clearance of 0.39 in between the bottom edge of the TV set and the top surface of the furniture.

The following calculation formula therefore results with concern to the height of the TV set:

$$\text{Lift height, Flatlift} = 35.43'' - 3 \times 0.39'' \text{ min. clearance} - (0.47'' \text{ to } 0.75'' \text{ thickness of the cover,} = 33.5''$$

33.5" = max. height of TV

If your TV is bigger or heavier, we recommend you to contact us.

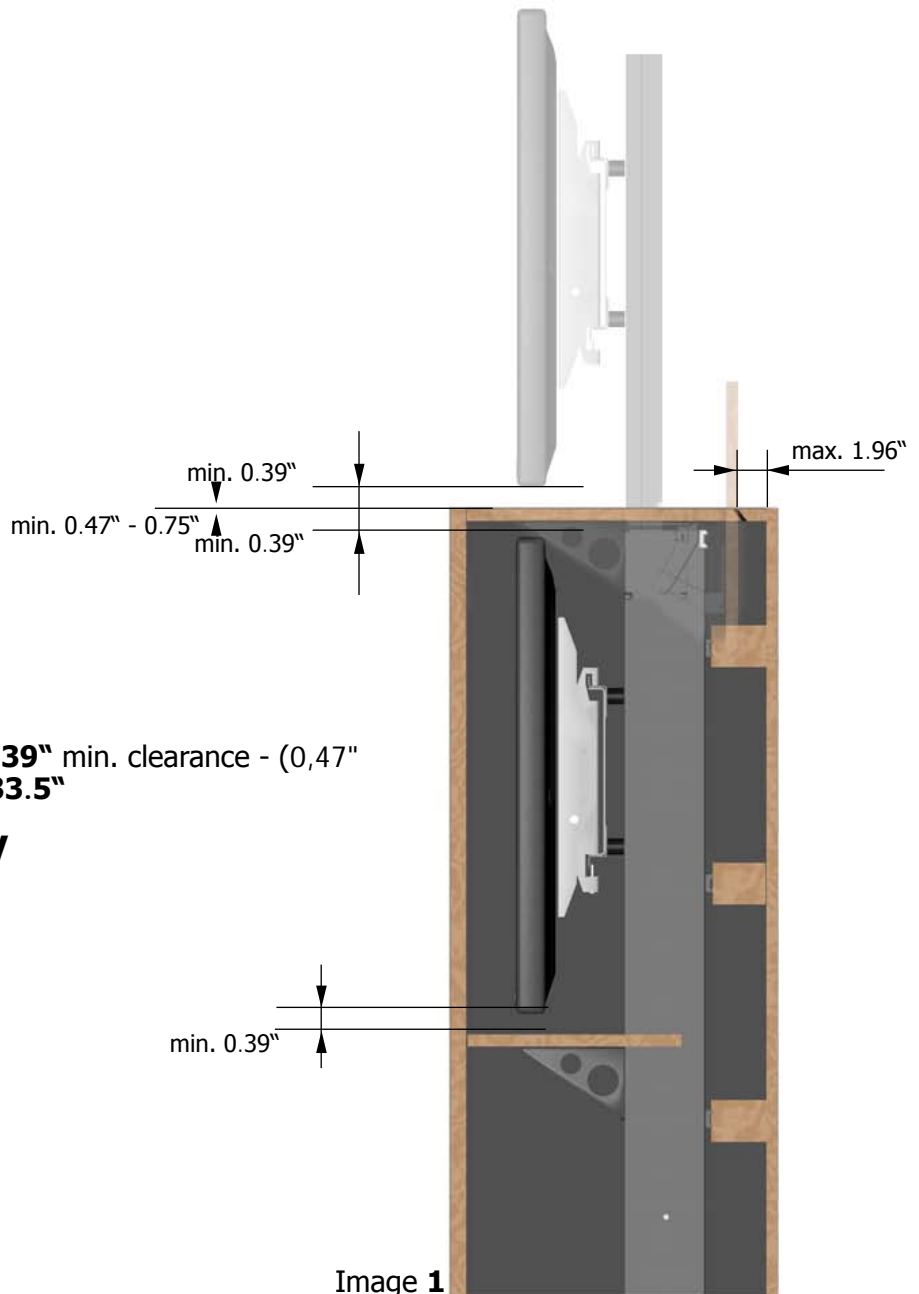


Image 1



Trouble shooting:

If your Flatlift is not working properly, please make sure you check the following things:

The Flatlift won't move up or down

Is the power cord attached to the control box?

S Check the mains connection

Are all of the plugs properly connected to the control box? (NOTE: plugs which are not connected properly can damage the system)

S Check all of the connections

S The motor cables must be connected starting at port 1 and going up

Is there any evidence of damage to the cables, the control box, the remote control or the Flatlift?

S Damaged components must be exchanged. Please contact us.

The Flatlift has stopped and will only move in the wrong direction.

S Is your Flatlift fully extended already?

S Is the TV too heavy?

Have you, in error, attached a TV to your Flatlift which is too heavy?

S Take the TV off the Flatlift and now see if the Flatlift works.

Is the remote control working?

S Change the battery in the remote control if necessary.

The lifting mechanism jerks or stutters?

S Please check as to whether another IR source are in range.

S Please check the battery of your IR remote control and change the battery if necessary.

If you experience any problems setting your system up or you experience an error, you can also contact us over the telephone or via Email:

Customer Service:

Via email: info@flatlift.net

Our telephone service time is 7.30 am - 5.30 pm. The telephone number is 1 800 571 0543.

Please have the following information at hand / or include it in any email that you sent to us:

- ⇒ Your customer number
- ⇒ Your invoice number or delivery receipt number
- ⇒ The purchase date of your Flatlift
- ⇒ The name/model of your Flatlift system



Outperform. Outlast.™

FLATLIFT References



Legal Notice

Flatlift TV Lift Systems USA INC.
 CEO: Sascha Rissel
 848 Rainbow Blvd. #1573
 NV 89107 Las Vegas / USA
 Free Call: 800 571 0543
 Fax: 702 944 4197
 E-Mail: info@flatlift.net

Hours of business: Mon-Fri. 7:30 am- 5:30 pm
 Status of document: JULY 2008

